

Part number


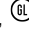
MAP 24 LS40



Brief description:

surface mounting housings with single lever, size "104.27", metal cover, M40, metal version, IP65

Product description	
Version	metal version
Series	surface mounting housings with single lever
Product type	with 1 lever
Variant	metal cover
Style	high construction
Family	CLASS enclosures
Size	size "104.27"
Technical data	
Material	metal
IP degree of protection	IP65
Cable entry	M40
Further technical details	
Weight	500,00 g

Approvals / Standards	
Quality mark	 (type:4/4X/12),  , EAC
Conformity	CQC, CE
General ordering information	
EAN13 code	8015747051958
Tariff number	85369095
Packaging Information	
Packaging length	475,00 mm
Packaging height	220,00 mm
Packaging width	200,00 mm
Packaging weight	5,00 kg
Packaging volume	20,90 dm ³
Packaging description	Carton box
Packaging quantity	10 Pcs
Packaging EAN code	8015747250122
Sub-packaging weight	2,50 kg
Sub-packaging description	Plastic pakaging
Sub-packaging quantity	5 Pcs
Sub-packaging EAN barcode	8015747051965

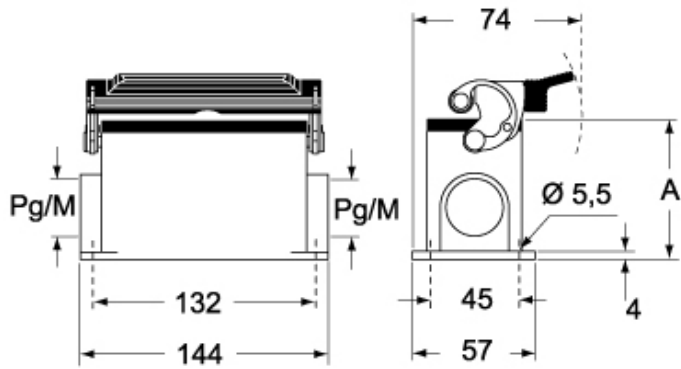
Part number

MAP 24 LS40

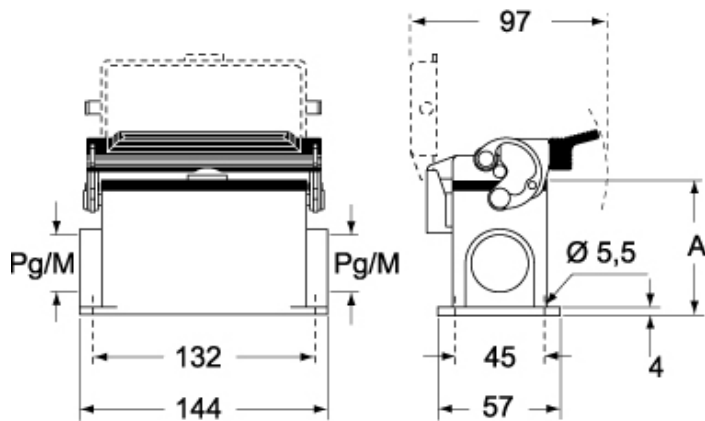


Catalogue drawings

CHP L CAP L - MHP L MAP L



CHP LS CAP LS - MHP LS MAP LS



	A
CHP L / MHP L	63
CAP L / MAP L	80
CHP LS / MHP LS	63
CAP LS / MAP LS	80